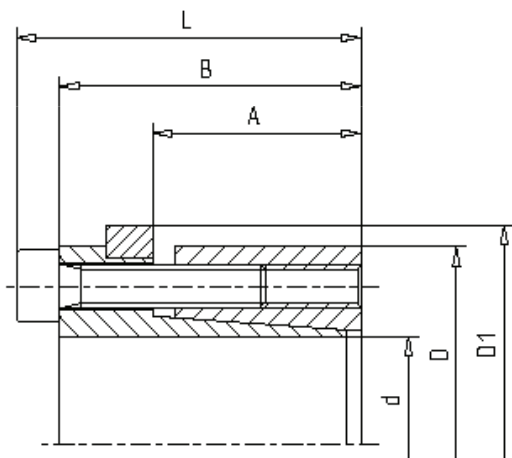


WALTHER FLENDER CLAMPING SETS - MLC 5000 B



Characteristics

Material*	Steel C45
Self-centring	yes
Taper angle	self-locking
Loosening	Forcing screws

*Further materials and surface treatments are available on request

Available sizes & Technical data

Size			Dimensions				Screws		Torque	Axial forces	Surface pressure
d x D (mm)			D ₁ (mm)	A (mm)	B (mm)	L (mm)	M	M _S (Nm)	M _t (Nm)	F _{AX} (kN)	P _N (N/mm ²)
20	x	47	53	42	31	48	M 6	17	320	33	70
22	x	47	53	42	31	48	M 6	17	360	33	70
24	x	50	56	42	31	48	M 6	17	390	33	70
25	x	50	56	42	31	48	M 6	17	400	33	70
28	x	55	61	42	31	48	M 6	17	450	33	60
30	x	55	61	42	31	48	M 6	17	490	33	60
32	x	60	66	42	31	48	M 6	17	690	43	70
35	x	60	66	42	31	48	M 6	17	750	43	70
38	x	65	71	42	31	48	M 6	17	820	43	70
40	x	65	71	42	31	48	M 6	17	860	43	70
42	x	75	81	51	35	59	M 8	41	1.300	60	70
45	x	75	81	51	35	59	M 8	41	1.400	60	70
48	x	80	86	51	35	59	M 8	41	1.900	80	90
50	x	80	86	51	35	59	M 8	41	2.000	80	90
55	x	85	91	51	35	59	M 8	41	2.200	80	90
60	x	90	96	51	35	59	M 8	41	2.400	80	80
65	x	95	101	51	35	59	M 8	41	2.600	80	70
70	x	110	119	61	46	71	M 10	83	4.600	130	80
75	x	115	124	61	46	71	M 10	83	5.000	130	80
80	x	120	129	61	46	71	M 10	83	5.200	130	70
85	x	125	134	61	46	71	M 10	83	7.000	170	90
90	x	130	139	61	46	71	M 10	83	7.400	170	80
95	x	135	144	61	46	71	M 10	83	7.800	170	80
100	x	145	155	68	52	80	M 12	145	9.800	190	80
110	x	155	165	68	52	80	M 12	145	10.700	190	70
120	x	165	175	68	52	80	M 12	145	14.600	240	90
130	x	180	188	68	52	80	M 12	145	19.000	300	100
140	x	190	199	76	58	90	M 14	230	23.000	330	90
150	x	200	209	76	58	90	M 14	230	30.000	400	100
160	x	210	219	76	58	90	M 14	230	32.000	400	100
170	x	225	234	76	58	90	M 14	230	39.000	460	110
180	x	235	244	76	58	90	M 14	230	41.000	460	100

Recommended shaft/hub fitting tolerances h8/H8